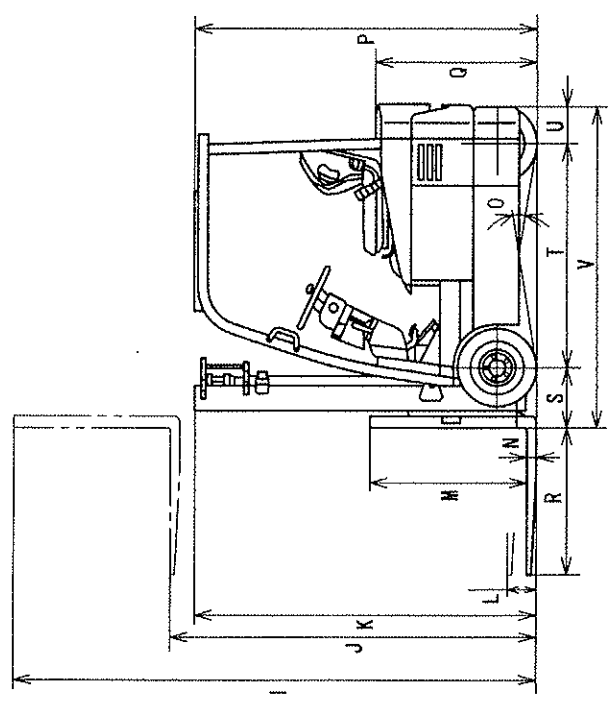
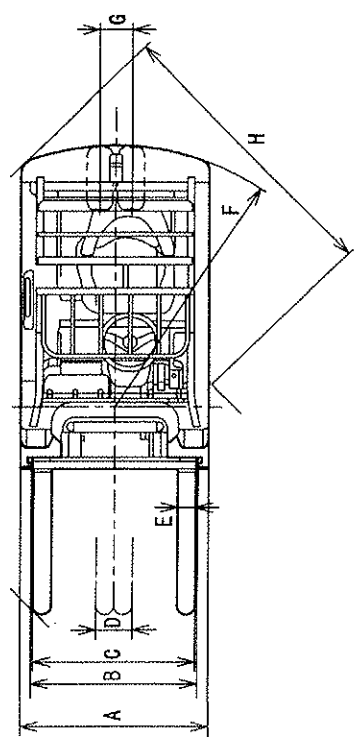


FS 16-43ME
3 Rad

De

WIRZUGABMESSUNGEN



| | 7FBF13 | 7FBF15 | 7FBF16 | 7FBF18 | 7FBF20 |
|---|---------|---------|---------|---------|---------|
| A | 1070 mm | ← | ← | ← | 1125 mm |
| B | 900 mm | ← | ← | ← | 990 mm |
| C | 915 mm | ← | ← | ← | ← |
| D | 180 mm | ← | ← | ← | 225 mm |
| E | 80 mm | ← | ← | ← | 100 mm |
| F | 1400 mm | 1540 mm | 1640 mm | 1645 mm | 1710 mm |
| G | 175 mm | ← | ← | ← | 205 mm |
| H | 1600 mm | 1670 mm | 1720 mm | 1730 mm | 1825 mm |
| I | 3920 mm | ← | ← | ← | ← |
| J | 3080 mm | ← | ← | ← | ← |
| K | 1970 mm | ← | ← | ← | ← |
| L | 150 mm | ← | ← | ← | ← |
| M | 1220 mm | ← | ← | ← | ← |
| N | 40 mm | ← | ← | ← | ← |
| O | 28% | 24% | 22% | ← | 25% |
| P | 1980 mm | ← | ← | ← | ← |
| Q | 925 mm | ← | ← | ← | ← |
| R | 800 mm | ← | ← | ← | 1000 mm |
| S | 355 mm | ← | ← | ← | 370 mm |
| T | 1210 mm | 1400 mm | 1505 mm | ← | ← |
| U | 195 mm | 140 mm | 135 mm | 140 mm | 205 mm |
| V | 1760 mm | 1895 mm | 1995 mm | 2000 mm | 2080 mm |

| A | B | | | G | | | J | | | O | | | | |
|----|------|------|------|------|------|------|-----|-----|---|-----|------|-----|-----------|------|
| | mm | C | | mm | H | I | K | | | N | P | | S | |
| | | mm | F | | | | L | M | Q | | R | | | |
| V | 3000 | 1970 | 3645 | 4220 | 150 | 150 | Deg | Deg | 5 | 6,5 | 5 | Deg | 500 mm LC | |
| | 3300 | 2120 | 3945 | 4520 | 150 | 150 | 5 | 5 | 5 | 6,5 | 1600 | Deg | kg | |
| | 3500 | 2220 | 4145 | 4720 | 150 | 150 | 5 | 5 | 5 | 6,5 | 1600 | 5 | 1600 | |
| | 3700 | 2380 | 4345 | 4920 | 150 | 150 | 5 | 5 | 5 | 6,5 | 1600 | 5 | 1600 | |
| | 4000 | 2570 | 4645 | 5220 | 150 | 150 | 5 | 5 | 5 | 6,5 | 1600 | 5 | 1600 | |
| | 4500 | 2820 | 5145 | 5720 | 150 | 150 | 5 | 5 | 5 | 6,5 | 1600 | 5 | 1600 | |
| | 5000 | 3070 | 5645 | 6220 | 150 | 150 | 5 | 5 | 5 | 6,5 | 1600 | 5 | 1550 | |
| | 3000 | 1970 | 3600 | 4220 | 1410 | 150 | 5 | 5 | 5 | 6,5 | 1550 | 5 | 6,5 | 1400 |
| | 3300 | 2120 | 3900 | 4520 | 1560 | 940 | 5 | 5 | 5 | 6,5 | 1600 | 5 | 6,5 | 1600 |
| | 3500 | 2220 | 4100 | 4720 | 1660 | 1040 | 5 | 5 | 5 | 6,5 | 1600 | 5 | 6,5 | 1600 |
| FV | 3700 | 2380 | 4300 | 4920 | 1820 | 1200 | 5 | 5 | 5 | 6,5 | 1600 | 5 | 6,5 | 1600 |
| | 4000 | 2570 | 4600 | 5220 | 2010 | 1390 | 5 | 5 | 5 | 6,5 | 1600 | 5 | 6,5 | 1600 |
| | 3700 | 1770 | 4275 | 4920 | 1235 | 590 | 5 | 5 | 5 | 6,5 | 1600 | 5 | 6,5 | 1550 |
| | 4000 | 1870 | 4575 | 5220 | 1335 | 690 | 5 | 5 | 5 | 6,5 | 1600 | 5 | 6,5 | 1600 |
| | 4300 | 1970 | 4875 | 5520 | 1435 | 790 | 5 | 5 | 5 | 6,5 | 1600 | 5 | 6,5 | 1500 |
| | 4700 | 2120 | 5275 | 5920 | 1585 | 940 | 5 | 5 | 5 | 6,5 | 1550 | 5 | 6,5 | 1450 |
| | 5000 | 2220 | 5575 | 6220 | 1685 | 1040 | 5 | 5 | 5 | 6,5 | 1450 | 5 | 6,5 | 1400 |
| | 5500 | 2380 | 6075 | 6720 | 1845 | 1200 | 5 | 5 | 5 | 6,5 | 1400 | 5 | 6,5 | 1300 |
| | 6000 | 2570 | 6575 | 7220 | 2035 | 1390 | 5 | 5 | 5 | 6,5 | 1350 | 5 | 6,5 | 950 |
| | FSV | | | | | | | | | | | | | |
| | | | | | | | | | | | | | | |
| | | | | | | | | | | | | | | |
| | | | | | | | | | | | | | | |
| | | | | | | | | | | | | | | |
| | | | | | | | | | | | | | | |
| | | | | | | | | | | | | | | |
| | | | | | | | | | | | | | | |
| | | | | | | | | | | | | | | |
| | | | | | | | | | | | | | | |

Die Höhe des Standardgeträhers beträgt 1220 mm.