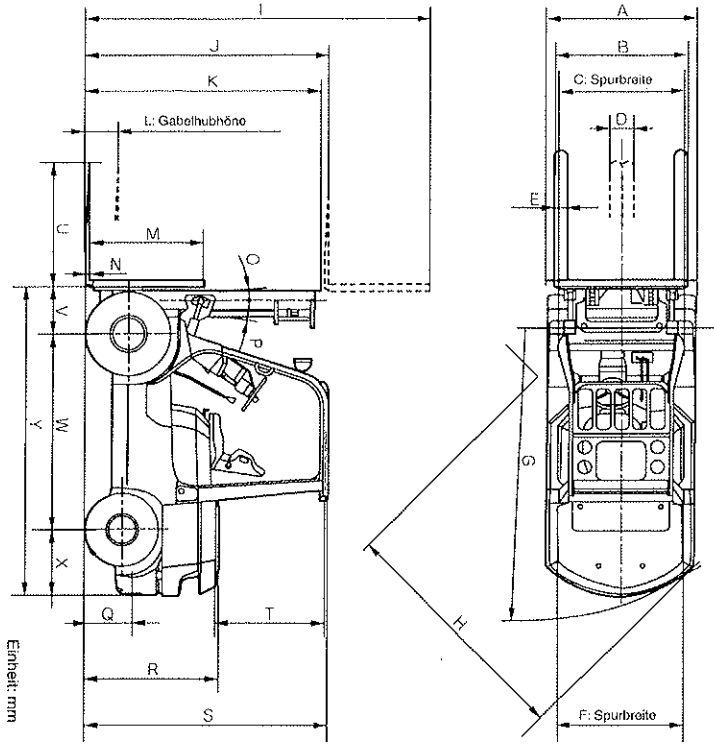


# FAHRZEUG-ABMESSUNGEN



Einheit: mm

	7FG35 02-7FG35 7FD35 02-7FD35	42-7FD35	7FG40 02-7FG40 7FD40 02-7FD40	7FG40 02-7FG40 7FD40 02-7FD40	42-7FD40	7FG45 02-7FG45 7FD45 02-7FD45	42-7FD45	02-7FG450 02-7FD450	42-7FD450
A	1350 (53,1)	←	←	1450 (57,1)	←	←	←	←	←
B	1160 (45,7)	←	←	←	←	←	←	←	←
C	1115 (43,9)	←	←	1150 (45,3)	←	←	←	←	←
D	280 (11,0)	←	←	←	←	←	←	←	300 (11,8)
E	140 (5,5)	←	←	←	←	←	←	←	←
F	1090 (42,9)	←	←	←	←	←	←	←	←
G	2610 (102,8)	2590 (102,0)	2660 (104,7)	2710 (106,7)	2690 (105,9)	2760 (108,7)	2730 (107,5)	2810 (110,6)	2780 (109,4)
H	2470 (97,2)	←	2495 (98,2)	2665 (101,0)	←	2590 (102,0)	←	2640 (103,9)	←
I	4220 (166,0)	←	←	←	←	←	←	4370 (172,0)	←
J	3000 (118,0)	←	←	←	←	←	←	←	←
K	2110 (83,1)	←	←	←	←	←	2200 (86,6)	2450 (96,5)	←
L	110 (4,3)	←	115 (4,5)	←	←	←	←	120 (4,7)	←
M	1220 (48)	←	←	←	←	←	←	1370 (54,0)	←
N	50,0 (2,0)	←	55,0 (2,2)	←	←	←	←	63,0 (2,5)	←
O	6	←	←	←	←	←	←	←	←
P	12	←	←	←	←	←	←	←	←
Q	370 (14,6)	←	←	←	←	←	←	←	←
R	1185 (46,7)	1265 (49,8)	1185 (46,7)	1280 (50,4)	1360 (53,5)	1280 (50,4)	1360 (53,5)	1290 (50,8)	1370 (53,9)
S	2140 (84,3)	2190 (86,2)	2140 (84,3)	2235 (88,0)	2285 (90,0)	2235 (88,0)	2285 (90,0)	2235 (88,0)	2285 (90,0)
T	1045 (41,1)	1055 (41,5)	1045 (41,1)	←	1055 (41,5)	1045 (41,1)	1055 (41,5)	1045 (41,1)	1055 (41,5)
U	1070 (42,0)	←	←	←	←	←	←	1220 (48)	←
V	520 (20,5)	←	530 (20,9)	555 (21,9)	←	575 (22,6)	←	570 (22,4)	←
W	1840 (72,4)	←	←	2000 (78,7)	←	←	←	←	←
X	575 (22,6)	545 (21,5)	630 (24,8)	525 (20,7)	495 (19,5)	565 (22,2)	635 (21,1)	610 (24,0)	580 (22,8)
Y	2935 (115,6)	2905 (114,4)	3000 (118,1)	3080 (121,3)	3050 (120,1)	3140 (123,6)	3110 (122,4)	3180 (125,2)	3150 (124,0)



7FGA/7FDA50

T	A	C	B		D	E	F	H	G		K		N	P		S
			mm (in)	mm (in)					mm (in)	mm (in)	mm (in)	mm (in)		deg	deg	
V	2000 (79.0)	1950 (76.8)	2845 (112.0)	3370 (132.7)	120 (4.7)	120 (4.7)	6	12	5000 (11000)	6	12	5000 (11000)	6	12	5000 (11000)	
	2500 (98.5)	2200 (86.6)	3345 (131.7)	3870 (152.4)	120 (4.7)	120 (4.7)	6	12	5000 (11000)	6	12	5000 (11000)	6	12	5000 (11000)	
	2700 (106.0)	2350 (92.5)	3545 (139.6)	4070 (160.2)	120 (4.7)	120 (4.7)	6	12	5000 (11000)	6	12	5000 (11000)	6	12	5000 (11000)	
	3000 (118.0)	2450 (96.5)	3845 (151.4)	4370 (172.0)	120 (4.7)	120 (4.7)	6	12	5000 (11000)	6	12	5000 (11000)	6	12	5000 (11000)	
	3300 (130.0)	2600 (102.4)	4145 (163.2)	4670 (183.9)	120 (4.7)	120 (4.7)	6	12	5000 (11000)	6	12	5000 (11000)	6	12	5000 (11000)	
	3500 (138.0)	2800 (110.2)	4345 (171.1)	4870 (191.7)	120 (4.7)	120 (4.7)	6	12	5000 (11000)	6	12	5000 (11000)	6	12	5000 (11000)	
	3700 (145.0)	2800 (110.2)	4545 (178.9)	5070 (199.6)	120 (4.7)	120 (4.7)	6	12	5000 (11000)	6	12	5000 (11000)	6	12	5000 (11000)	
	4000 (157.5)	3050 (120.1)	4845 (190.7)	5370 (211.4)	120 (4.7)	120 (4.7)	6	12	5000 (11000)	6	12	5000 (11000)	6	12	5000 (11000)	
	4500 (177.0)	3300 (129.9)	5345 (210.4)	5870 (231.1)	120 (4.7)	120 (4.7)	6	6	5000 (11000)	6	6	5000 (11000)	6	12	5000 (11000)	
	5000 (197.0)	3550 (139.8)	5845 (230.1)	6370 (250.8)	120 (4.7)	120 (4.7)	6	6	4000 (9000)	6	6	4000 (9000)	6	12	4800 (10600)	
FSV	3700 (145.0)	2200 (86.6)	4570 (179.9)	5070 (199.6)	1330 (52.4)	830 (32.7)	6	6	5000 (11000)	6	6	5000 (11000)	6	6	5000 (11000)	
	4000 (157.5)	2270 (89.4)	4870 (191.7)	5370 (211.4)	1400 (55.1)	900 (35.4)	6	6	4900 (10800)	6	6	4900 (10800)	6	6	4900 (10800)	
	4300 (169.0)	2350 (92.5)	5170 (203.5)	5670 (223.2)	1480 (58.3)	980 (38.6)	6	6	4800 (10600)	6	6	4800 (10600)	6	6	4800 (10600)	
	4700 (185.0)	2450 (96.5)	5570 (219.3)	6070 (239.0)	1580 (62.2)	1080 (42.5)	6	6	4300 (9500)	6	6	4300 (9500)	6	6	4600 (10200)	
	5000 (197.0)	2600 (102.4)	5870 (231.1)	6370 (250.8)	1730 (68.1)	1230 (48.4)	6	6	4100 (9000)	6	6	4100 (9000)	6	6	4500 (10000)	
	5500 (216.5)	2800 (110.2)	6370 (250.8)	6870 (270.5)	1930 (76.0)	1430 (56.3)	6	6	3100 (6800)	6	6	3100 (6800)	6	6	4300 (9500)	
6000 (236.0)	3050 (120.1)	6870 (270.5)	7370 (290.2)	2180 (85.8)	1680 (66.1)	6	6	2400 (5300)	6	6	2400 (5300)	6	6	4100 (9000)		

HINWEIS: Höhe der Standard-Lasstütze ist 1,370 mm.

# AD UND REIFEN

Reifen-Konfiguration	Felgenreöße	Luftreifen		Als Luftreifen geformter Vollgummireifen		
		Reifengröße	J-Lug	Reifengröße	J-Zapfen-Vollgummireifen	Weicher Vollgummireifen
77FD35 Vorne Doppel Hinten	A	7.00T-151R	250-15-16PR	○	250-15	●
		9.75-151R	28x12.5-15-18PR	●		
	B	6.00S-151R	28x8-15-12PR	●	7.00-15	
		5.00S-12DT	7.00-12-12PR	○	7.00-12	●
	C	5.00S-12TB	7.00-12-12PR	●	7.00-12	●
		5.00S-12TB	7.00-12-12PR	○	7.00-12	●
	D	8.00V-151R	300-15-18PR	○	300-15	●
		9.75-151R	32x12.1-15-20PR	●		
77FD40 Vorne Doppel Hinten	A	6.50T-151R	8.25-15-12PR	●	8.25-15	●
		5.00S-12DT	7.00-12-12PR	○	7.00-12	●
	B	5.00S-12TB	7.00-12-12PR	●	7.00-12	●
		5.00S-12TB	7.00-12-12PR	○	7.00-12	●
	C	7.00T-151R	250-15-16PR	○	250-15	●
		9.75-151R	28x12.5-15-18PR	●		
	D	6.00S-151R	28x8-15-12PR	●	7.00-15	●
		5.00S-12TB	7.00-12-12PR	○	7.00-12	●
77FD45 Vorne Doppel Hinten	A	8.00V-151R	300-15-18PR	○	300-15	●
		9.75-151R	32x12.1-15-20PR	●		
	B	6.50T-151R	8.25-15-12PR	●	8.25-15	●
		5.00S-12DT	7.00-12-12PR	○	7.00-12	●
	C	5.00S-12TB	7.00-12-12PR	●	7.00-12	●
		5.00S-12TB	7.00-12-12PR	○	7.00-12	●
	D	8.00V-151R	300-15-18PR	○	300-15	●
		9.75-151R	32x12.1-15-20PR	●		
77FD450 Vorne Doppel Hinten	A	8.00V-151R	300-15-18PR	○	300-15	●
		9.75-151R	32x12.1-15-20PR	●		
	B	6.50T-151R	8.25-15-12PR	●	8.25-15	●
		5.00S-12DT	7.00-12-12PR	○	7.00-12	●
	C	5.00S-12TB	7.00-12-12PR	●	7.00-12	●
		5.00S-12TB	7.00-12-12PR	○	7.00-12	●
	D	8.00V-151R	300-15-18PR	○	300-15	●
		9.75-151R	32x12.1-15-20PR	●		
Standard B: Option C: Geteilte Felge D: Seiteningfelge O: Standard ●: Option	A	8.00V-151R	300-15-18PR	○	300-15	●
		9.75-151R	32x12.1-15-20PR	●		
	B	6.50T-151R	8.25-15-12PR	●	8.25-15	●
		5.00S-12DT	7.00-12-12PR	○	7.00-12	●
	C	5.00S-12TB	7.00-12-12PR	●	7.00-12	●
		5.00S-12TB	7.00-12-12PR	○	7.00-12	●
	D	8.00V-151R	300-15-18PR	○	300-15	●
		9.75-151R	32x12.1-15-20PR	●		